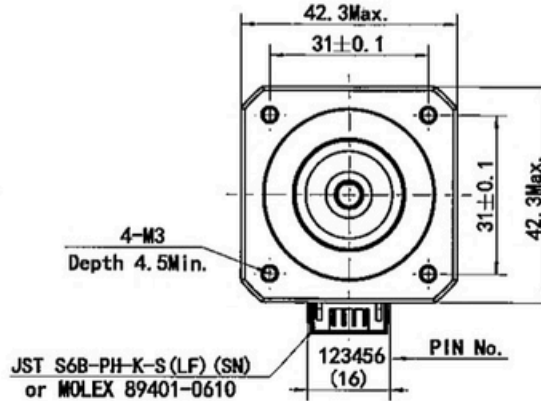
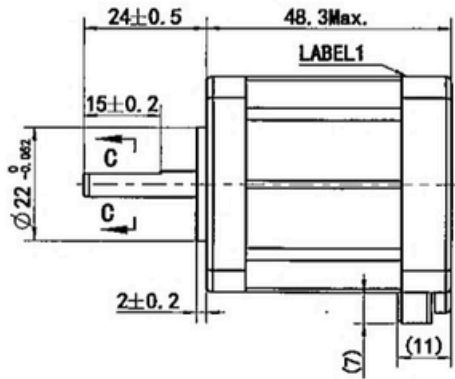
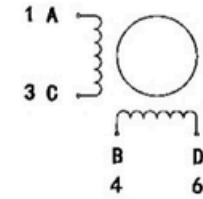


MS17HA6P4150



Wiring Diagram



Exciting Sequence vs. Direction of Rotation

STEP	A	B	C	D	CCW
1	+	+	-	-	↑
2	-	+	+	-	
3	-	-	+	+	
4	+	-	-	+	

Clockwise view from mounting side

Label1 Detail

STEPPING MOTOR

Insulation: Class B, 60VDC Max.

1.5Amps Holding: 0.54Nm **UL** 3000RPM Max. **US**

UL FILE No. E465363 XXX **Factory ID**

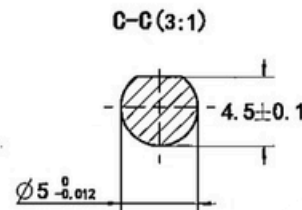
Label2 Detail

TYPE MS17HA6P4150

XXXXXXXX YY/MM/DD

Work Order Date Format

Specification	
1. Number of Phase	2
2. Step Angle	0.9°
3. Rated Voltage	3.23 V DC
4. Rated Current	1.5 Amp
5. Holding Torque	0.54 Nm Typ. (Two phase on/rated current)
6. Phase Resistance	2.15 ohm ±10% (20°C)
7. Phase Inductance	6.8 mH ±20% (1kHz 1V rms)
8. Rotor Inertia	82 gcm ²
9. Motor Weight	0.35 kg
10. Insulation Class	B (130°C)



Unit:mm

First angle method

Tolerances for linear and angular dimensions without individual tolerance indications GB/T 1804-m eqv ISO 2768-1:m

Geometrical tolerance for features without individual tolerance indications GB/T 1184-K eqv ISO 2768-2:K

UNLESS OTHERWISE SPECIFIED

Approve	
Standardize	
Process Review	
Check	
Design	
NAMES	SIGNATURE
DATE	DATE

PIVEXIN TECHNOLOGY

REV.	REVISION RECORD	DATE
B1	ECR:23-317, There are two positions	2023. 03. 29
B0	Update nameplate	2017. 04. 24
A0	Original revision	2016. 09. 11